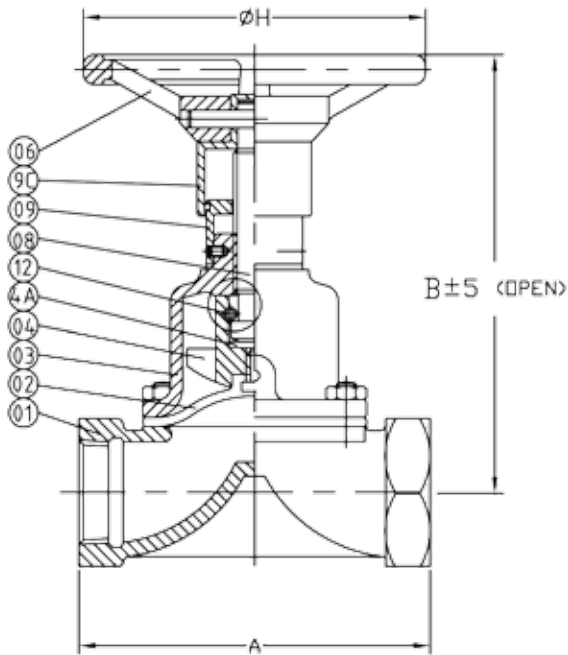




Diaphragm Valves



Product information



Diaphragm Valve Weir Type

Features

- Screwed BSP Taper
- Ductile Iron Body
- Rising Handwheel Indicator Bonnet

Diaphragm Available	Temperature Range
Grade A - Natural Rubber	-30°C to +80°C
Grade EP - EPDM	-30°C to +150°C
Grade R - Nitrile	-10°C to +90°C
Grade N - Neoprene	-25°C to +95°C
Grade B - Butyl	-25°C to +120°C
Grade H - Hypalon	-15°C to +100°C
Grade V - Viton	-5°C to +150°C
Grade T - PTFE/Neoprene	-30°C to +120°C

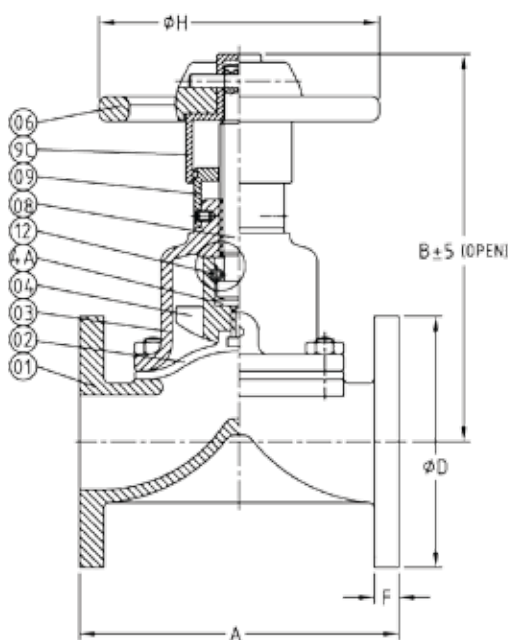
Technical Data	
15mm to 50mm	65mm to 80mm
16 bar	10 bar

N.	Part Name	Materials
01	Body	Ductile Iron
02	Diaphragm	As per list
03	Bonnet	Cast Iron
04	Compressor	Cast Iron
4A	Thrust Pad	Delrin/PTFE
06	Handwheel	Cast Iron
08	Stem	Stainless Steel 410
09	Indicator	Cast Iron
9C	Indicator Cap	Cast Iron
12	Spring Dowel Sleeve	Spring Steel

DN	15	20	25	32	40	50	65	80
A	64	83	108	121	140	165	203	254
B(open)	115	126	150	157	200	230	260	335
H	80	80	100	100	100	180	180	225
Kgs	0.9	1.8	3.0	3.2	3.5	6.5	10	21

Dimensions in mm

This data sheet is designed as a guide and should not be regarded as wholly accurate in every detail. We reserve the right to amend the specification of any product without notice.



Diaphragm Valve Weir Type

Features

- Flange PN10/16 (520) or ASA150 (530)
- Cast Iron Body Unlined
- Rising Handwheel Indicator Bonnet

Diaphragm Available	Temperature Range
Grade A - Natural Rubber	-30°C to +80°C
Grade EP - EPDM	-30°C to +150°C
Grade R - Nitrile	-10°C to +90°C
Grade N - Neoprene	-25°C to +95°C
Grade B - Butyl	-25°C to +120°C
Grade H - Hypalon	-15°C to +100°C
Grade V - Viton	-5°C to +150°C
Grade T - PTFE/Neoprene	-30°C to +120°C

Technical Data		
15mm to 50mm	65mm to 150mm	200mm
16 bar	10 bar	7 bar

N.	Part Name	Materials
1	Body	Cast Iron
2	Diaphragm	As per list
3	Bonnet	Cast Iron
4	Compressor	Cast Iron
4A	Thrust Pad	Delrin/PTFE
6	Handwheel	Cast Iron
8	Stem	Stainless Steel 410
9	Indicator	Cast Iron
9C	Indicator Cap	Cast Iron
12	Spring Dowel Sleeve	Spring Steel

DN	15	20	25	32	40	50	65	80	100	125	150	200
A	108	117	127	146	159	190	216	254	305	356	406	521
B (open)	105	115	132	140	180	210	235	305	340	420	490	645
ϕD	95	105	115	140	150	165	185	200	229	254	285	343
F	12	12	12	15	15	17.5	18	19	23.8	23.8	25.4	22
ϕH	80	80	100	100	100	180	180	225	225	310	358	471
Kgs	2.6	2.8	3.5	4.8	6.5	10.5	15	22	36	61	89	165

Dimensions in mm

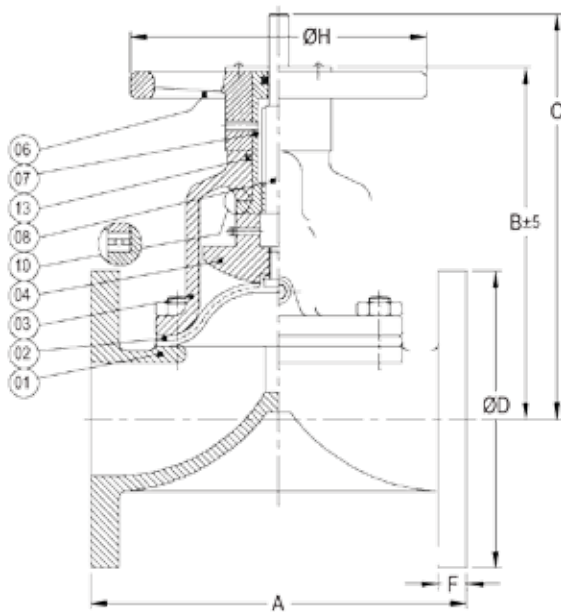
This data sheet is designed as a guide and should not be regarded as wholly accurate in every detail. We reserve the right to amend the specification of any product without notice.



Diaphragm Valve Weir Type

Features

- Flange PN10/16 (520) or ASA150 (530)
- Cast Iron Body Unlined
- Non Rising Handwheel Bonnet



N.	Part Name	Materials
01	Body	Cast Iron
02	Diaphragm	As per list
03	Bonnet	Cast Iron
04	Compressor	Cast Iron
06	Handwheel	Delrin/PTFE
07	Stem Bushing	Cast Iron
08	Stem	Stainless Steel 410
10	Thrust Bearing	Cast Iron
15/16	Lubrication Fitting	Cast Iron

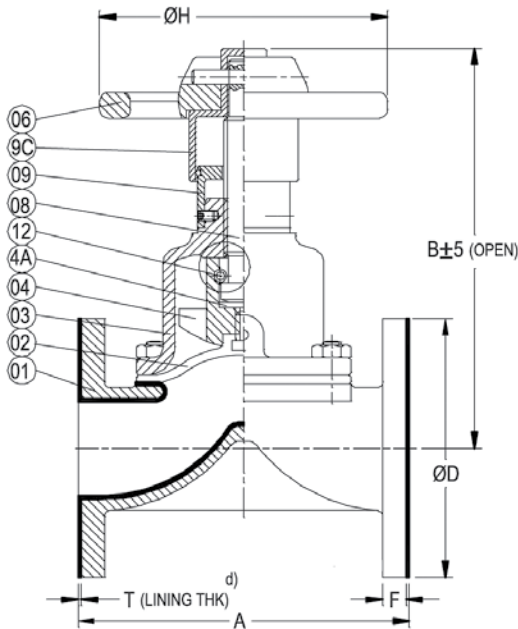
Diaphragm Available	Temperature Range
Grade A - Natural Rubber	-30°C to +80°C
Grade EP - EPDM	-30°C to +150°C
Grade R - Nitrile	-10°C to +90°C
Grade N - Neoprene	-25°C to +95°C
Grade B - Butyl	-25°C to +120°C
Grade H - Hypalon	-15°C to +100°C
Grade V - Viton	-5°C to +150°C
Grade T - PTFE/Neoprene	-30°C to +120°C

Technical Data
250mm to 350mm
5 bar

DN	250	300	350
A	635	749	749
B	545	649	795
C	689	815	1020
øD	406	483	533
øH	587	690	690
F	24.0	24.0	26.0
Kgs	240	418	480

Dimensions in mm

This data sheet is designed as a guide and should not be regarded as wholly accurate in every detail. We reserve the right to amend the specification of any product without notice.



Diaphragm Valve Weir Type

Features

- Flange PN10/16 (525) or ASA150 (535)
- Cast Iron Body Lined
- Rising Handwheel Indicator Bonnet

Diaphragm Available	Temperature Range
Grade A - Natural Rubber	-30°C to +80°C
Grade EP - EPDM	-30°C to +150°C
Grade R - Nitrile	-10°C to +90°C
Grade N - Neoprene	-25°C to +95°C
Grade B - Butyl	-25°C to +120°C
Grade H - Hypalon	-15°C to +100°C
Grade V - Viton	-5°C to +150°C
Grade T - PTFE/Neoprene	-30°C to +120°C

Technical Data		
15mm to 50mm	65mm to 150mm	200mm
16 bar	10 bar	7 bar

Liners Available	Temperature Range
PFA Lined	-20°C to +175°C
PVDF Lined	-10°C to +130°C
ECTFE Lined	-5°C to +130°C
ETFE Lined	-20°C to +130°C
BUTYL Lined	-10°C to +120°C
Neoprene Lined	-10°C to +105°C
Hard Rubber/Ebonite Lined	-10°C to +85°C

N.	Part Name	Materials
1	Body	Cast Iron Lined
2	Diaphragm	As per list
3	Bonnet	Cast Iron
4	Compressor	Cast Iron
4A	Thrust Pad	Delrin/PTFE
6	Handwheel	Cast Iron
8	Stem	Stainless Steel 410
9	Indicator	Cast Iron
9C	Indicator Cap	Cast Iron
12	Spring Dowel Sleeve	Spring Steel

DN	15	20	25	32	40	50	65	80	100	125	150	200
A	114	123	133	152	165	196	222	260	313	364	414	529
B (open)	105	115	132	141	180	211	235	305	340	421	490	645
T	3	3	3	3	3	3	3	3	4	4	4	4
øD	95	115	115	141	150	165	185	200	229	254	285	343
F	12	12	12	15	15	17.5	18	19	23.8	23.8	25.4	22
øH	81	81	100	100	100	180	180	225	225	310	358	471
Kgs	2.6	2.8	3.5	4.8	6.5	10.5	15	22	36	61	89	165

Dimensions in mm

This data sheet is designed as a guide and should not be regarded as wholly accurate in every detail. We reserve the right to amend the specification of any product without notice.

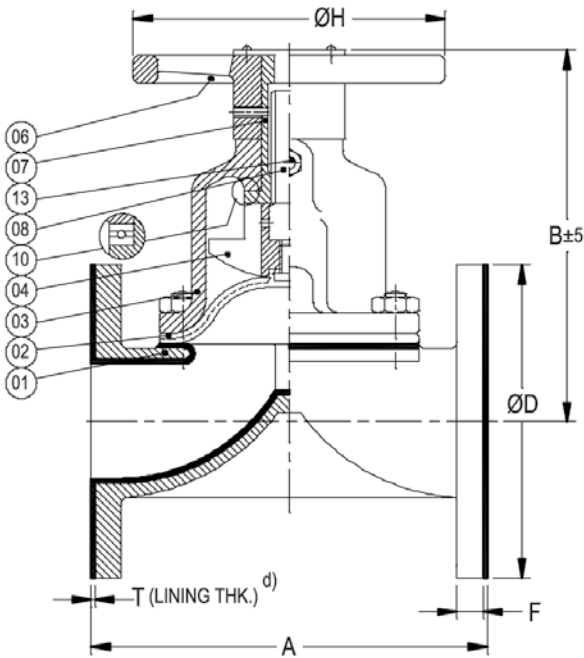


Diaphragm Valve Weir Type

Features

- Flange PN10/16 (525) or ASA150 (535)
- Cast Iron Body Lined
- Non Rising Handwheel Bonnet

Diaphragm Available	Temperature Range
Grade A - Natural Rubber	-30°C to +80°C
Grade EP - EPDM	-30°C to +150°C
Grade R - Nitrile	-10°C to +90°C
Grade N - Neoprene	-25°C to +95°C
Grade B - Butyl	-25°C to +120°C
Grade H - Hypalon	-15°C to +100°C
Grade V - Viton	-5°C to +150°C
Grade T - PTFE/Neoprene	-30°C to +120°C



N.	Part Name	Materials
1	Body	Cast Iron Lined
2	Diaphragm	As per list
3	Bonnet	Cast Iron
4	Compressor	Cast Iron
4A	Thrust Pad	Delrin/PTFE
6	Handwheel	Cast Iron
8	Stem	Stainless Steel 410
9	Indicator	Cast Iron
9C	Indicator Cap	Cast Iron
12	Spring Dowel Sleeve	Spring Steel

Dimensions in mm

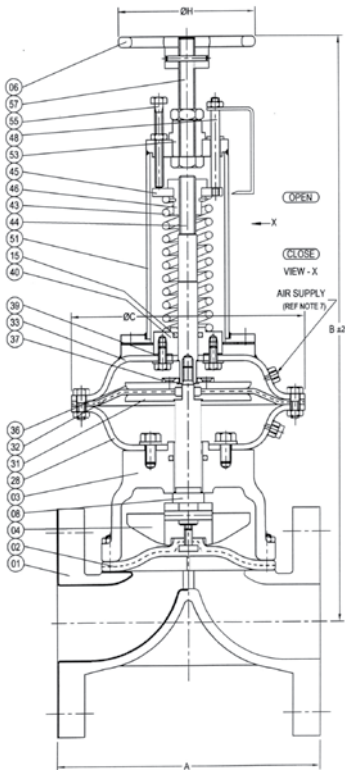
This data sheet is designed as a guide and should not be regarded as wholly accurate in every detail. We reserve the right to amend the specification of any product without notice.

Technical Data

250mm to 350mm
5 bar

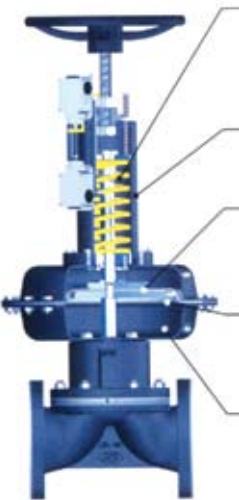
Liners Available	Temperature Range
PFA Lined	-20°C to +175°C
PVDF Lined	-10°C to +130°C
ECTFE Lined	-5°C to +130°C
ETFE Lined	-20°C to +130°C
BUTYL Lined	-10°C to +120°C
Neoprene Lined	-10°C to +105°C
Hard Rubber/Ebonite Lined	-10°C to +85°C

DN	250	300	350
A	645	759	759
B	555	659	800
C	699	825	1025
T	5	5	5
øD	406	483	533
øH	587	690	690
F	24.0	24.0	26.0
Kgs	240	418	480



Fail Safe Open Actuators for Weir Type Diaphragm Valves

N.	Part Name	Materials
01	Body	Cast Iron
02	Diaphragm	Rubber
03	Bonnet	Cast Iron
04	Compressor	Cast Iron
06	Handwheel	Cast Iron
08	Stem	Steel A 276, Gr. 410
15	'O' Ring	Buna - N
28	Bottom Chamber	Steel (IS: 1079, Gr. DD)
31	Bottom Support Plate	Steel (IS: 2062, Gr. A) ZP
32	Air Diaphragm	Buna - N (Reinforced)
33	Top Chamber	Steel (IS: 1079, Gr. DD)
36	Top Support Plate	Steel (IS: 2062, Gr. A) ZP
37	Locking Washer	Steel (IS: 2062, Gr. A) ZP
39	Gasket	Rubber
40	Spring Seat	Steel (IS: 2062, Gr. A) ZP
43	Spring	Spring Steel
44	Stem Extension	Steel A 276, Gr. 410
45	Spring Plate	Steel (IS: 2062, Gr. A) ZP
46	Bush	SG Iron (IS: 1865, Gr 500/7)
48	Position Indicator	Steel (IS: 2062, Gr. A) ZP
51	Spring Chamber	Steel (IS: 1239, Pt 1)
53	Sleeve (Size 65 & above except BA21)	SG Iron (IS: 1865, Gr 500/7)
55	Limit Opening Bolt or Screw	Steel (IS: 1364, Gr. 8.8) ZP
57	Spindle	EN 8, Z.P



Springs

Highly reliable, failsafe spring action to secure valuable fluids from loss due to service failure, improving company's profits.

Coating

Powder coatings fight corrosion and resist dirt to reduce cleaning time.

Diaphragm Plates

Air diaphragm is protected by steel plates to withstand pressure without distortion.

Air Diaphragm (Buna-N)

Grades may be selected for air or hydraulic to ensure long life, cut down time.

Air Chambers

Are pressed from cold rolled steel plates for maximum strength, compact design to reduce weight, simplify pipeline support system.

Failsafe Open actuators open the valves to allow line fluid to flow in the event of failure of air pressure to the actuators.

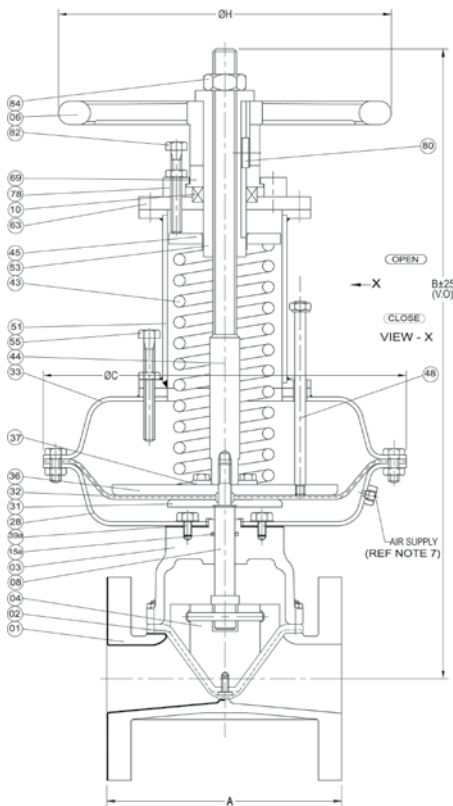
Normal Use

When the valves are normally In open position.

DN	15	20	25	40	50	65	80	100	125	150	200	250
A UL	108	117	127	159	190	216	254	305	356	406	521	635
A RL	114	123	133	165	196	222	260	313	364	414	529	645
BA11	B	360	365	375	400	415						
	øC	170	170	170	170	170						
øH	100	100	100	100	100							
	B		465	490	505	550	570	600	765			
BA21	øC		255	255	255	255	255	255	255			
	øH		140	140	140	225	225	225	368			
B	490	510	525	610	635	650	820	865	980			
	øC	338	338	338	338	338	338	338	338	338	338	338
øH	140	140	140	225	225	225	368	368	368	368	368	368
	B				735	755	775	840	935	1095		
BA61	øC				415	415	415	415	415	415	415	415
	øH				225	225	310	368	368	368	368	368
BA71	B					770	790	900	950	1110	1145	
	øC					462	462	462	462	462	462	462
	øH					225	310	368	368	368	368	368
BA81	B						845	960	1010	1155	1195	
	øC						570	570	570	570	570	570
	øH						310	368	471	471	471	471

Dimensions in mm

This data sheet is designed as a guide and should not be regarded as wholly accurate in every detail. We reserve the right to amend the specification of any product without notice.



- Emergency Handwheel**
Allows valve operation in the event of plant service failure.
- Stem and Stem Extension**
Made from EN8, ground chrome plated and polished (SS304 optional) moves in long guide bores for smooth working and maximum life.
- Indicator**
Clearly shows valve position manual check on automatic systems.
- Bonnet**
Rugged Cast Iron bonnet has flat design especially for actuators, making the unit close couples and rigid.
- Failsafe Closed actuators** close the valves against line pressure in the event of failure of air pressure to the actuators.
- Normal Use**
When the valves are normally In close position.

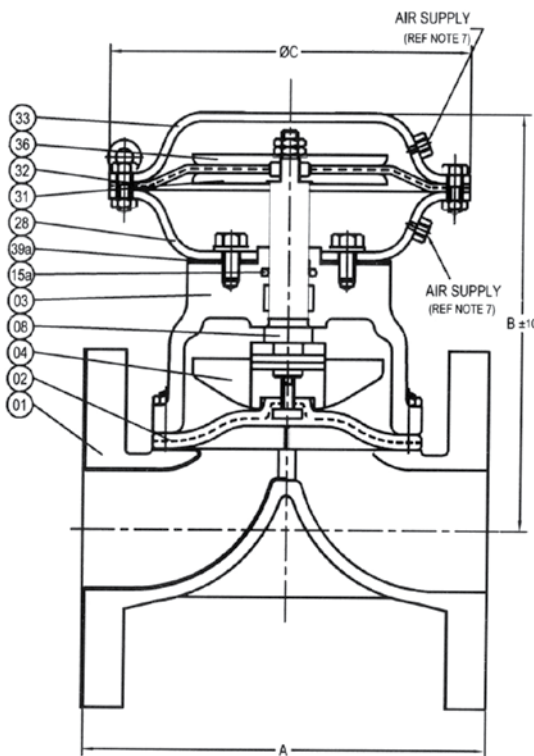
Fail Safe Closed Actuators for Weir Type Diaphragm Valves

N.	Part Name	Materials
01	Body	Cast Iron
02	Diaphragm	Rubber or PTFE
03	Bonnet	Cast Iron
04	Compressor	Cast Iron
06	Handwheel*	Cast Iron
08	Stem	Steel A 276, Gr. 419
10	Bearing (for model 2003 & above)	Steel
15a	'O' Ring	Buna - N
28	Bottom Chamber*	Steel (IS: 1079, Gr. DD)
31	Bottom Support Plate	Steel (IS: 2062, Gr. A) ZP
32	Air Diaphragm	Buna - N (Reinforced)
33	Top Chamber*	Steel (IS: 1079, Gr. DD)
36	Top Support Plate	Steel (IS: 2062, Gr. A) ZP
37	Locking Washer	Steel (IS: 2062, Gr. A) ZP
39a	Gasket	Rubber
43	Spring	Spring Steel
44	Stem Extension	EN N8 ZP
45	Spring Plate	Steel (IS: 2062, Gr. A) ZP
48	Position Indicator	Steel (IS: 2062, Gr. A) ZP
51	Spring Chamber	Steel (IS: 1239, Pt 1)
53	Sleeve	SG Iron (IS: 1865, Gr 500/7)
55	Limit Opening Bolt or Screw	Steel (IS: 1364, Gr. 8.8) ZP
63	Top Cover	Steel (IS: 2062, Gr. A)
69	Hand Wheel Adapter	Steel (IS: 2062, Gr. A)
78	Housing	Cast Iron
80	Key	Steel (IS: 2062, Gr. A)
82	Spring Comp. Adjustment Screw	Steel (IS: 2062, Gr. 8.8) ZP
84	Hex. Nut	Steel (IS: 2002, Gr. A) EN 8 ZP

DN	15	20	25	40	50	65	80	100	125	150	200	250
A UL	108	117	127	159	190	216	254	305	356	406	521	635
A RL	114	123	133	165	196	222	260	313	364	414	529	645
B	395	405	415	445	470							
1002 1012	170	170	170	170	170							
2003	495	525	550	570	600	655						
2004	255	255	255	255	255	255						
2034	255	255	255	255	255	255						
3004 3034	535	565	590	615	645	700						
3006 3056	338	338	338	338	338	338	338					
6007 / 6056 / 6057 6067 / 606B / 60AB						795	825	855	910	965	1070	
7007 / 7057 / 7067 706B / 70AB						415	415	415	415	415	415	
806B / 80AB						368	368	368	368	368	368	
8009 / 80CD / 8089						850	870	900	950	1010	1110	
						462	462	462	462	462	462	
						471	471	471	471	471	471	
							955	1005	1065	1165		
						462	462	462	462	462		
						471	471	471	471	471		
							1130	1180	1240	1340	1375	
						570	570	570	570	570		
						471	471	471	471	471		

Dimensions in mm

This data sheet is designed as a guide and should not be regarded as wholly accurate in every detail. We reserve the right to amend the specification of any product without notice.



Double Acting Pneumatic Actuator for Weir Type Diaphragm Valves

N.	Part Name	Materials
01	Body	Cast Iron
02	Diaphragm	Rubber or PTFE
03	Bonnet	Cast Iron
04	Compressor	Cast Iron
08	Stem	Steel A 276, Gr. 410
15a	'O' Ring	Buna - N
28	Bottom Chamber	Steel (IS: 1079, Gr. DD)
31	Bottom Support Plate	Steel (IS: 2062, Gr. A) ZP
32	Air Diaphragm	Buna - N (Reinforced)
33	Top Chamber	Steel (IS: 1079, Gr. DD)
36	Top Support Plate	Steel (IS: 2062, Gr. A) ZP
39a	Gasket	Rubber

DN	15	20	25	40	50	65	80	100	125	150	200	250
A UL	108	117	127	159	190	216	254	305	356	406	521	635
A RL	114	123	133	165	196	222	260	313	364	414	529	645
B	125	135	140	170	185							
BA13	170	170	170	170	170							
B		180	205	220	240	260	285	320				
BA23		255	255	255	255	255	255	255				
B		205	230	245	265	285	310	340	395	480		
BA33		388	388	388	388	388	388	388	388	388		
B					290	310	335	365	415	500		
BA63					415	415	415	415	415	415		
B						320	345	375	425	510	585	
BA73						462	462	462	462	462	462	
B								390	420	470	555	625
BA83								570	570	570	570	570



Outstanding Features and Advantages

- Simple, highly effective design, compact and light weight
- Safe, easy to maintain and low running costs
- Increase processing accuracy and output; boosting your company's profits

Optional Extras

- Adjustable open stop
- Limit switches
- Valve positioners
- Solenoid valves
- Air filter regulators
- Air Lock relays
- Quick exhaust valves

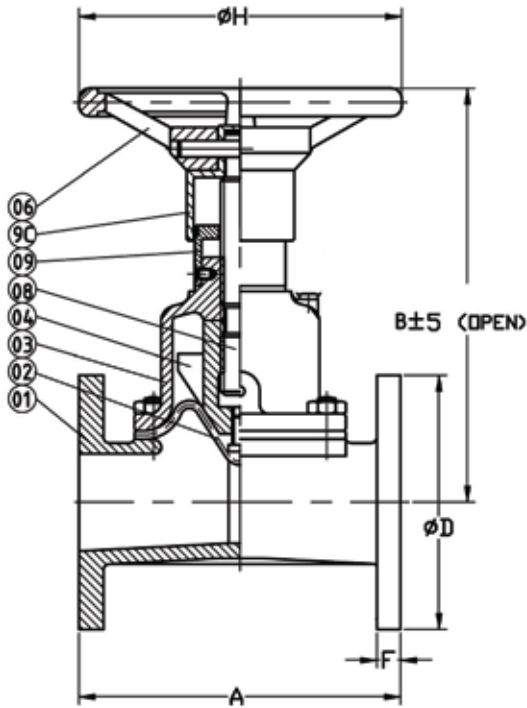
Double acting actuators either open or close the valves.

Normal Use

No Failsafe mode stays in same position if air fails.

Dimensions in mm

This data sheet is designed as a guide and should not be regarded as wholly accurate in every detail. We reserve the right to amend the specification of any product without notice.



Diaphragm Valve Straight Through Type

Features

- Flange PN10/16 (550) or ASA150 (560)
- Cast Iron Body Unlined
- Rising Handwheel Indicator Bonnet

Diaphragm Available	Temperature Range
Grade A - Natural Rubber	-30°C to +80°C
Grade EP - EPDM	-30°C to +150°C
Grade R - Nitrile	-10°C to +90°C
Grade N - Neoprene	-25°C to +95°C
Grade B - Butyl	-25°C to +120°C
Grade H - Hypalon	-15°C to +100°C
Grade V - Viton	-5°C to +150°C

Technical Data	
15mm to 100mm	125mm to 200mm
10 bar	6 bar

N.	Part Name	Materials
1	Body	Cast Iron
2	Diaphragm	As per list
3	Bonnet	Cast Iron
4	Compressor	Cast Iron
6	Handwheel	Cast Iron
8	Stem	Stainless Steel 410
9	Indicator	Cast Iron
9C	Indicator Cap	Cast Iron

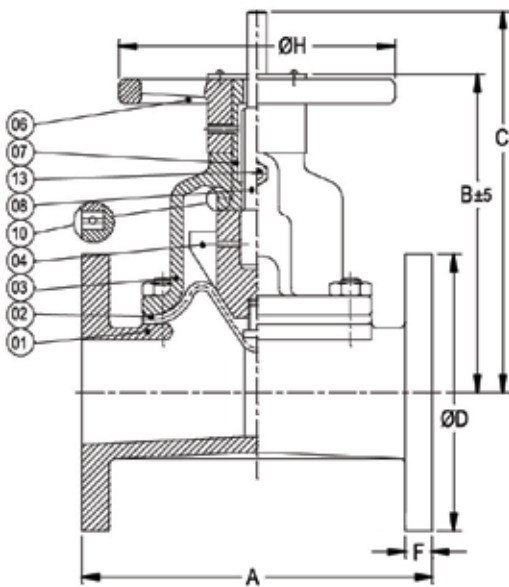
DN	15	20	25	32	40	50	65	80	100	125	150	200
A	108	117	127	146	159	190	216	254	305	356	406	521
B (open)	115	150	125	150	150	190	225	285	315	380	485	540
ØD	95	115	105	140	150	165	185	200	229	254	285	343
F	12	12	12	15	15	17.5	18	19	23.8	23.8	20	22
ØH	80	80	120	120	120	120	250	250	315	315	400	400
Kgs	2.8	3.3	4.2	4.8	5.5	10	15	25	32	55	85	146



Diaphragm Valve Straight Through Type

Features

- Flange PN10/16 (550) or ASA150 (560)
- Cast Iron Body Unlined
- Non Rising Handwheel Bonnet



Diaphragm Available	Temperature Range
Grade A - Natural Rubber	-30°C to +80°C
Grade EP - EPDM	-30°C to +150°C
Grade R - Nitrile	-10°C to +90°C
Grade N - Neoprene	-25°C to +95°C
Grade B - Butyl	-25°C to +120°C
Grade H - Hypalon	-15°C to +100°C
Grade V - Viton	-5°C to +150°C

Technical Data
250mm to 300mm
3.5 bar

N.	Part Name	Materials
01	Body	Cast Iron
02	Diaphragm	As per list
03	Bonnet	Cast Iron
04	Compressor	Cast Iron
06	Handwheel	Cast Iron
07	Stem Bushing	S. G. Iron
08	Stem	Stainless Steel 410
10	Thrust Bearing	Steel
13	Lubrication Fitting	Steel

DN	250	300
A	635	749
B (Closed)	655	655
C (Open)	846	846
øD	406	483
øH	690	690
F	24.0	24.0
Kgs	188	330

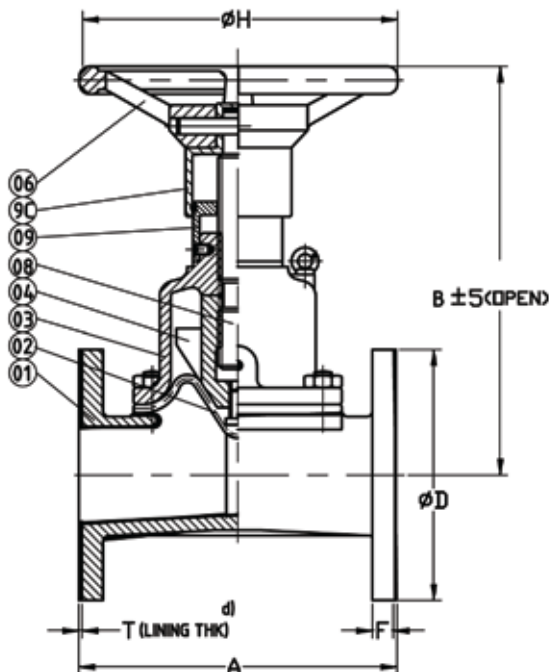
Dimensions in mm

This data sheet is designed as a guide and should not be regarded as wholly accurate in every detail. We reserve the right to amend the specification of any product without notice.

Diaphragm Valve Straight Through Type

Features

- Flange PN10/16 (555) or ASA150 (565)
- Cast Iron Body Lined
- Rising Handwheel Indicator Bonnet



Diaphragm Available	Temperature Range
Grade A - Natural Rubber	-30°C to +80°C
Grade EP - EPDM	-30°C to +150°C
Grade R - Nitrile	-10°C to +90°C
Grade N - Neoprene	-25°C to +95°C
Grade B - Butyl	-25°C to +120°C
Grade H - Hypalon	-15°C to +100°C
Grade V - Viton	-5°C to +150°C

Technical Data	
15mm to 100mm	125mm to 200mm
10 bar	6 bar

Liners Available	Temperature Range
BUTYL Lined	-10°C to +120°C
Neoprene Lined	-10°C to +105°C
Natural/Ebonite	-10°C to +85°C

N.	Part Name	Materials
1	Body	Cast Iron Lined
2	Diaphragm	As per list
3	Bonnet	Cast Iron
4	Compressor	Cast Iron
6	Handwheel	Cast Iron
8	Stem	Stainless Steel 410
9	Indicator	Cast Iron
9C	Indicator Cap	Cast Iron

DN	15	20	25	32	40	50	65	80	100	125	150	200
A	108	117	127	146	159	190	216	254	305	356	406	521
B (open)	115	125	150	150	150	190	225	285	315	380	485	540
ϕD	95	105	115	140	150	165	185	200	229	254	285	434
F	12	12	12	15	15	17.5	18	19	23.8	23.8	20	22
ϕH	80	80	120	120	120	120	250	250	315	315	400	400
T	3	3	3	3	3	3	3	3	4	4	4	4
Kgs	2.8	3.3	4.2	4.8	5.5	10	15	25	32	55	85	146

Dimensions in mm

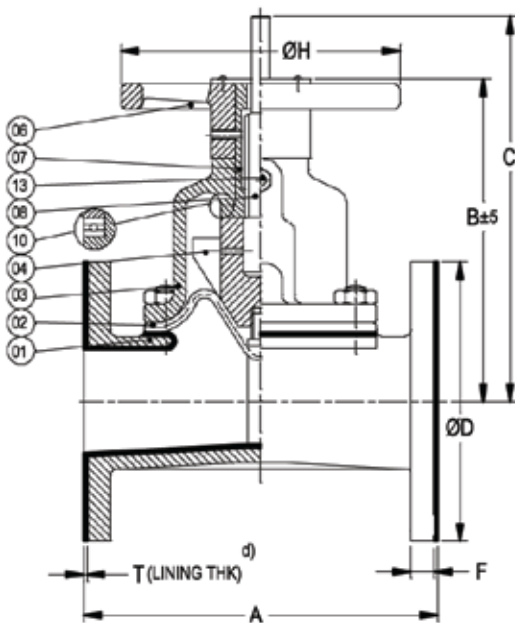
This data sheet is designed as a guide and should not be regarded as wholly accurate in every detail. We reserve the right to amend the specification of any product without notice.



Diaphragm Valve Straight Through Type

Features

- Flange PN10/16 (555) or ASA150 (565)
- Cast Iron Body Lined
- Non Rising Handwheel Bonnet



Diaphragm Available	Temperature Range
Grade A - Natural Rubber	-30°C to +80°C
Grade EP - EPDM	-30°C to +150°C
Grade R - Nitrile	-10°C to +90°C
Grade N - Neoprene	-25°C to +95°C
Grade B - Butyl	-25°C to +120°C
Grade H - Hypalon	-15°C to +100°C
Grade V - Viton	-5°C to +150°C

Technical Data
250mm to 300mm
3.5 bar

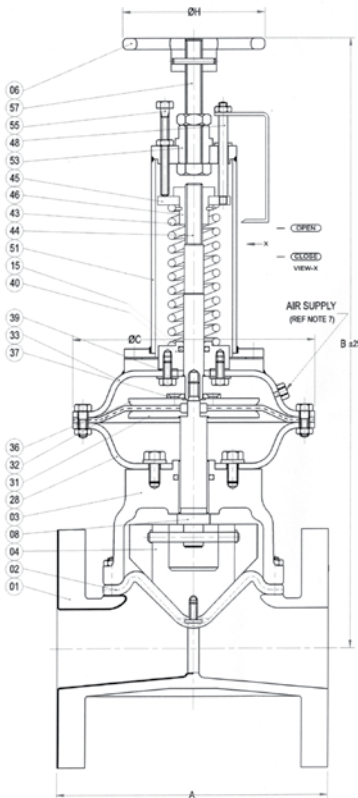
Liners Available	Temperature Range
BUTYL Lined	-10°C to +120°C
Neoprene Lined	-10°C to +105°C
Natural/Ebonite	-10°C to +85°C

DN	250	300
A	635	749
B	655	655
C	846	846
øD	406	483
øH	690	690
F CI	24.0	24.0
T	5	5
Kgs	188	330

N.	Part Name	Materials
1	Body	Cast Iron Lined
2	Diaphragm	As per list
3	Bonnet	Cast Iron
4	Compressor	Cast Iron
6	Handwheel	Cast Iron
7	Stem Bushing	S. G. Iron
8	Stem	Stainless Steel 410
10	Thrust Bearing	Steel
13	Lubrication Fitting	Steel

Dimensions in mm

This data sheet is designed as a guide and should not be regarded as wholly accurate in every detail. We reserve the right to amend the specification of any product without notice.



Fail Safe Open Actuator for Straight Through Type Diaphragm Valves

N.	Part Name	Materials
01	Body	Cast Iron
02	Diaphragm	Rubber
03	Bonnet	Cast Iron
04	Compressor	Cast Iron
06	Handwheel	Cast Iron
08	Stem	Steel A 276, Gr. 410
15	'O' Ring	Buna - N
28	Bottom Chamber	Steel (IS: 1079, Gr. DD)
31	Bottom Support Plate	Steel (IS: 2062, Gr. A) ZP
32	Air Diaphragm	Buna - N (Reinforced)
33	Top Chamber	Steel (IS: 1079, Gr. DD)
36	Top Support Plate	Steel (IS: 2062, Gr. A) ZP
37	Locking Washer	Steel (IS: 2062, Gr. A) ZP
39	Gasket	Rubber
40	Spring Seat	Steel (IS: 2062, Gr. A) ZP
43	Spring	Spring Steel
44	Stem Extension	Steel A 276, Gr. 410
45	Spring Plate	Steel (IS: 2062, Gr. A) ZP
46	Bush	SG Iron (IS: 1865, Gr 500/7)
48	Position Indicator	Steel (IS: 2062, Gr. A) ZP
51	Spring Chamber	Steel (IS: 1239, Pt 1)
53	Sleeve (Size 65 & above except BA21)	SG Iron (IS: 1865, Gr 500/7)
55	Limit Opening Bolt or Screw	Steel (IS: 1364, Gr. 8.8) ZP
57	Spindle	EN 8, Z.P



Springs

Highly reliable, failsafe spring action to secure valuable fluids from loss due to service failure, improving company's profits.

Coating

Powder coatings fight corrosion and resist dirt to reduce cleaning time.

Diaphragm Plates

Air diaphragm is protected by steel plates to withstand pressure without distortion.

Air Diaphragm (Buna-N)

Grades may be selected for air or hydraulic to ensure long life, cut down time.

Air Chambers

Are pressed from cold rolled steel plates for maximum strength, compact design to reduce weight, simplify pipeline support system.

Failsafe Open actuators open the valves to allow line fluid to flow in the event of failure of air pressure to the actuators.

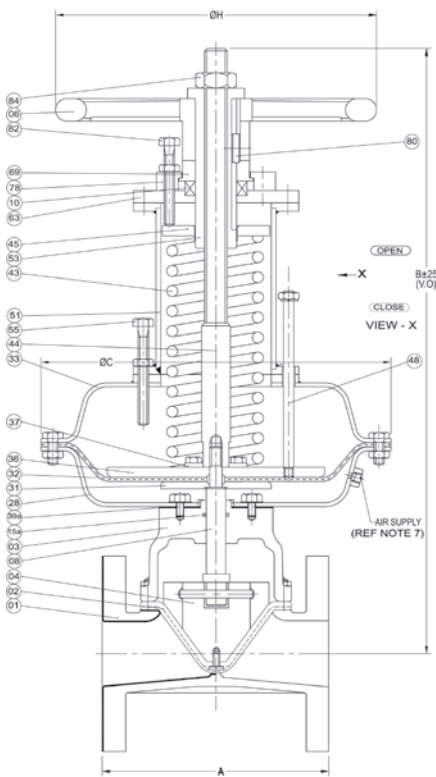
Normal Use

When the valves are normally In open position.

DN	15	25	40	50	65	80	100	150	200
A UL	108	127	159	190	216	254	305	406	521
A RL	114	133	165	196	222	260	313	414	529
BA11	B	355	375	375					
	øC	170	170	170					
BA21	øH	100	100	100					
	B	465	465	495	530	545			
BA31	øC	255	255	255	255	255			
	øH	140	140	140	140	140			
BA61	B	490	490	520	595	605	640		
	øC	338	338	338	338	338	338		
BA71	øH	140	140	140	225	225	225		
	B				715	730	760	940	
BA81	øC				415	415	415	415	
	øH				225	225	310	368	
BA81	B				745	775	960	1025	
	øC				462	462	462	462	
	øH				225	310	368	368	
BA81	B					825	1085	1155	
	øC					570	570	570	
	øH					310	471	471	

Dimensions in mm

This data sheet is designed as a guide and should not be regarded as wholly accurate in every detail. We reserve the right to amend the specification of any product without notice.



Fail Safe Closed Actuator for Straight Through Type Diaphragm Valves

N.	Part Name	Materials
01	Body	Cast Iron
02	Diaphragm	Rubber
03	Bonnet	Cast Iron
04	Compressor	Cast Iron
06	Handwheel	Cast Iron
08	Stem	Steel A 276, Gr. 410
10	Bearing (for model 2003 & above)	Steel
15a	'O' Ring	Buna - N
28	Bottom Chamber	Steel (IS: 1079, Gr. DD)
31	Bottom Support Plate	Steel (IS: 2062, Gr. A) ZP
32	Air Diaphragm	Buna - N (Reinforced)
33	Top Chamber	Steel (IS: 1079, Gr. DD)
36	Top Support Plate	Steel (IS: 2062, Gr. A) ZP
37	Locking Washer	Steel (IS: 2062, Gr. A) ZP
39	Gasket	Rubber
43	Spring	Spring Steel
44	Stem Extension	EN N8 ZP
45	Spring Plate	Steel (IS: 2062, Gr. A) ZP
48	Position Indicator	Steel (IS: 2062, Gr. A) ZP
51	Spring Chamber	Steel (IS: 1239, Pt 1)
53	Sleeve	SG Iron (IS: 1865, Gr 500/7)
55	Limit Opening Bolt or Screw	Steel (IS: 1364, Gr. 8.8) ZP
63	Top Cover	Steel (IS: 2062, Gr. A)
69	Hand Wheel Adapter	Steel (IS: 2062, Gr. A)
78	Housing	Cast Iron
80	Key	Steel (IS: 2062, Gr. A)
82	Spring Comp. Adjustment Screw	Steel (IS: 2062, Gr. 8.8) ZP
84	Hex. Nut	Steel (IS: 2002, Gr. A) EN 8 ZP

DN	15	25	40	50	65	80	100	150	200
A UL	108	127	159	190	216	254	305	406	521
A RL	114	133	165	196	222	260	313	414	529
B	395	410	410						
1002 øC	170	170	170						
1012 øH	140	140	140						
2003 B		495	500	545	560				
2004 øC		255	255	255	255				
2034 øH		255	255	255	255				
B				585	600	625			
3004 øC				338	338	338			
3034 øH				310	310	310			
B					715	740	775		
3006 øC					338	338	338		
3056 øH					310	310	310		
6007 / 6057 / 6067				B	785	810	840		
				øC	415	415	415		
				øH	368	368	368		
7057 / 7067 / 70AB				B		855	885	1020	
				øC		462	462	462	
				øH		471	471	471	
80AB				B			940	1070	1160
				øC			570	570	570
				øH			471	471	471
8009 / 80CD				B			1115	1245	1340
				øC			570	570	570
				øH			471	471	471



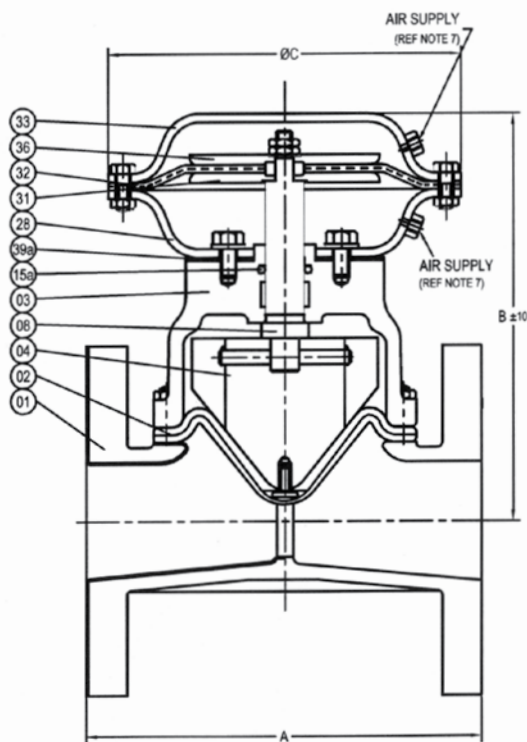
- Emergency Handwheel**
Allows valve operation in the event of plant service failure.
- Stem and Stem Extension**
Made from EN8, ground chrome plated and polished (SS304 optional) moves in long guide bores for smooth working and maximum life.
- Indicator**
Clearly shows valve position manual check on automatic systems.
- Bonnet**
Rugged Cast Iron bonnet has flat design especially for actuators, making the unit close couples and rigid.
Failsafe Closed actuators close the valves against line pressure in the event of failure of air pressure to the actuators.
- Normal Use**
When the valves are normally In close position.

Dimensions in mm

This data sheet is designed as a guide and should not be regarded as wholly accurate in every detail. We reserve the right to amend the specification of any product without notice.



Double Acting Pneumatic Actuator for Straight Through Type Diaphragm Valves



Outstanding Features and Advantages

- Simple, highly effective design, compact and light weight
- Safe, easy to maintain and low running costs
- Increase processing accuracy and output; boosting your company's profits

Optional Extras

- Adjustable open stop
- Limit switches
- Valve positioners
- Solenoid valves
- Air filter regulators
- Air Lock relays
- Quick exhaust valves

Double acting actuators either open or close the valves.

Normal Use

No Failsafe mode stays in same position if air fails.

Dimensions in mm

This data sheet is designed as a guide and should not be regarded as wholly accurate in every detail. We reserve the right to amend the specification of any product without notice.

N.	Part Name	Materials
01	Body	Cast Iron
02	Diaphragm	Rubber
03	Bonnet	Cast Iron
04	Compressor	Cast Iron
08	Stem	Steel A 276, Gr. 410
15a	'O' Ring	Buna - N
28	Bottom Chamber	Steel (IS: 1079, Gr. DD)
31	Bottom Support Plate	Steel (IS: 2062, Gr. A) ZP
32	Air Diaphragm	Buna - N (Reinforced)
33	Top Chamber	Steel (IS: 1079, Gr. DD)
36	Top Support Plate	Steel (IS: 2062, Gr. A) ZP
39a	Gasket	Rubber

DN	15	20	25	40	50	65	80	100	125	150	200
A UL	108	117	127	159	190	216	254	305	356	406	521
A RL	114	123	133	165	196	222	260	313	364	414	529
B	135	140	155	155							
BA13	ØC	170	170	170	170						
B			190	190	215	250	260				
BA23	ØC		255	255	255	255	255				
B					240	275	285	320			
BA33	ØC				388	388	388	388			
B						300	310	345	415	425	
BA63	ØC					415	415	415	415	415	
B								355	435	445	625
BA73	ØC							462	462	462	462
B									485	495	675
BA83	ØC								570	570	570



Actuator Technical Data

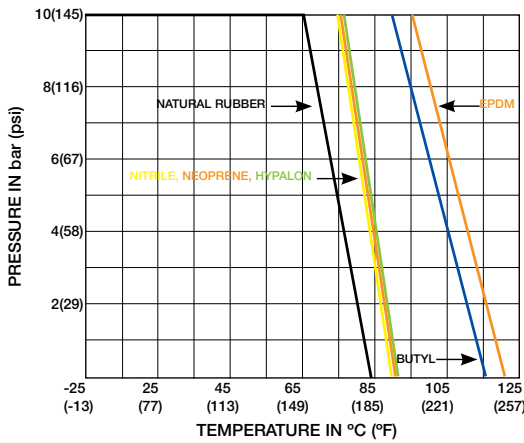
DATA FOR MANUAL OPERATED VALVES

Valve Size mm (inch)	Weir				Straight Through			
	Stem Travel	Turns*	100% ΔP		Stem Travel	Turns*	100% ΔP	
			Torque Nm (ft. lbs)	Closing Force Nm (lbs)			Torque Nm (ft. lbs)	Closing Force Nm (lbs)
6(1/2)/10(1/2)	6.4 (0.25)	2.250 (0.09)	0.8 (0.6)	250 (56)	6.0 (0.23)	3.00 (0.11)	-	-
15(1/2)	6.4 (0.25)	2.250 (0.08)	1.3 (0.9)	650 (146)	11.4 (0.44)	4.00 (0.15)	1.2 (0.9)	600 (135) 600
20(1/2)	9.5 (0.37)	3.250 (0.12)	2.2 (1.6)	1103 (248)	11.4 (0.44)	4.00 (0.15)	1.2 (0.9)	(135)
25(1)	12.7 (0.50)	4.250 (0.16)	3.1 (2.3)	1545 (347)	18.5 (0.72)	6.25 (0.24)	2.6 (1.9)	1300 (292)
32(1 1/2)	15.9 (0.62)	5.375 (0.21)	5.1 (3.8)	2529 (568)	24.5 (0.96)	8.25 (0.32)	2.6 (1.9)	1300 (292)
40(1 1/2)	20.6 (0.81)	5.250 (0.20)	7.6 (5.6)	2853 (641)	24.5 (0.96)	8.25 (0.32)	2.6 (1.9)	1300 (292)
50(2)	28.6 (1.12)	7.250 (0.28)	12.0 (6.6)	4464 (1003)	34.4 (1.35)	8.75 (0.34)	8.7 (6.4)	3200 (719)
65(2 1/2)	34.9 (1.37)	8.750 (0.34)	16.2 (12.0)	6039 (1358)	42.9 (1.68)	10.75 (0.43)	12.0 (6.8)	4800 (1079)
80(3)	41.3 (1.62)	8.375 (0.32)	25.7 (19.0)	9502 (2136)	53.6 (2.11)	10.75 (0.43)	18.0 (13.3)	6200 (1394)
100(4)	54.0 (2.12)	11.000 (0.43)	39.0 (29.0)	14391 (3235)	57.8 (2.27)	11.75 (0.46)	26.0 (19.2)	9000 (1023)
125(5)	69.8 (2.74)	14.000 (0.55)	42.2 (31.0)	15636 (3515)	95.0 (3.74)	15.00 (0.59)	38.0 (28.0)	11000 (2473)
150(6)	79.4 (3.12)	13.250 (0.52)	72.5 (54.0)	21600 (4866)	106.0 (4.25)	18.00 (0.71)	48.0 (35.4)	14000 (3147)
200(8)	117.5 (4.62)	19.750 (0.77)	113.0 (83.0)	33852 (5610)	159.0 (6.25)	22.72 (0.89)	75.0 (55.3)	20000 (1496)
250(10)	142.9 (5.62)	24.000 (0.94)	115.0 (85.0)	34233 (7696)	190.5 (7.50)	27.25 (1.07)	90.0 (66.4)	24000 (5335)
300(12)	165.1 (6.50)	23.750 (0.93)	200.0 (148.0)	45866 (10611)	190.5 (7.50)	27.25 (1.07)	90.0 (66.4)	24000 (5335)
350(14)	225.0 (6.35)	32.250 (1.26)	263.0 (194.0)	60227 (13539)	-	-	-	-

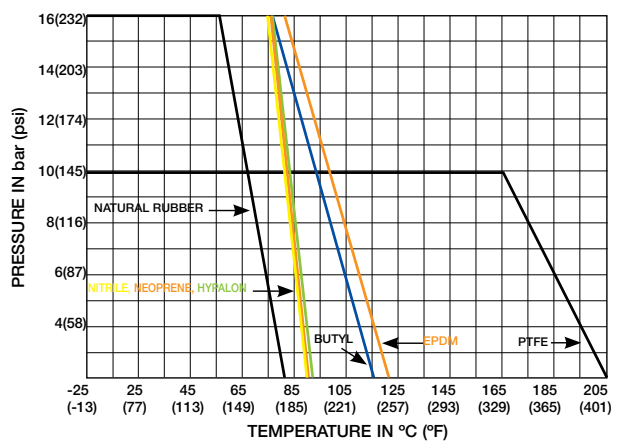
*Between Open & Close Positions

Torque and Closing-Force values are for rated Working Pressure for 100% ΔP . For 0% ΔP multiply by 1.9 to the above values.

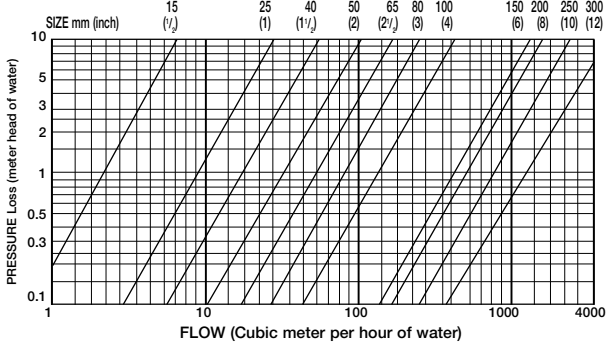
PRESSURE TEMPERATURE RATINGS STRAIGHT THROUGH TYPE



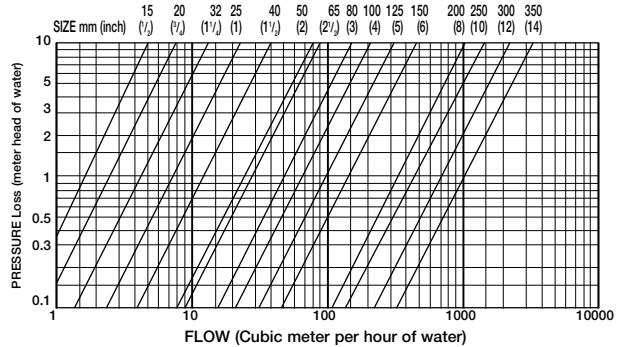
PRESSURE TEMPERATURE RATINGS WEIR TYPE



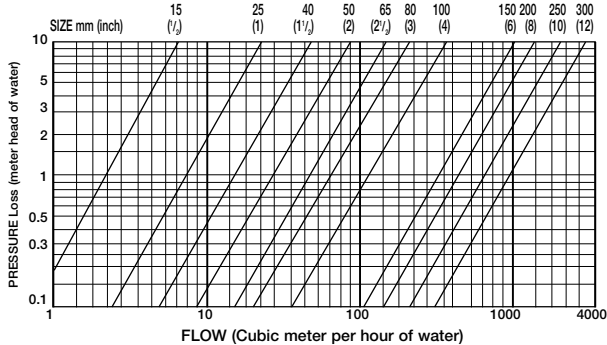
METAL BODY - ELASTOMER DIAPHRAGM



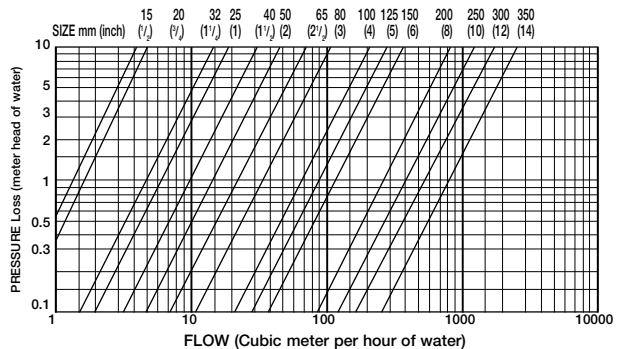
METAL / PFA LINED BODY - ELASTOMER / PTFE DIAPHRAGM



RUBBER LINED BODY - ELASTOMER DIAPHRAGM



RUBBER LINED BODY - ELASTOMER DIAPHRAGM



Dimensions in mm

This data sheet is designed as a guide and should not be regarded as wholly accurate in every detail. We reserve the right to amend the specification of any product without notice.



Valve Positioners
Can be fitted to accurately control the degree of the valve opening. Either equal percentage or linear flow characteristics can be obtained.



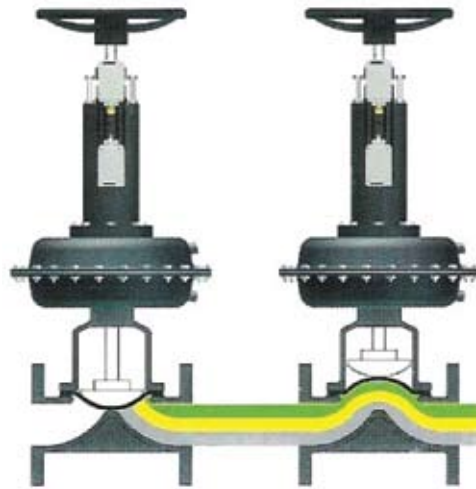
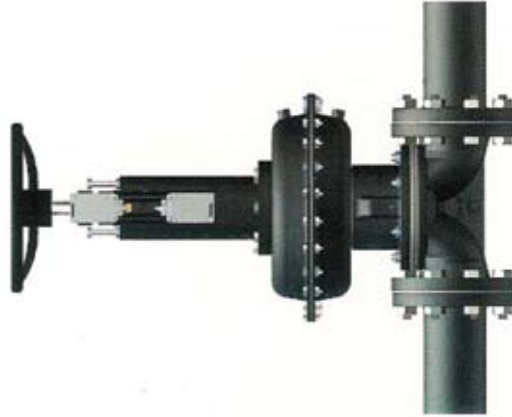
Adjustable Open Stop
Field or factory adjustable opening stop will limit the opening of the valve to suit the restricted flow installation.



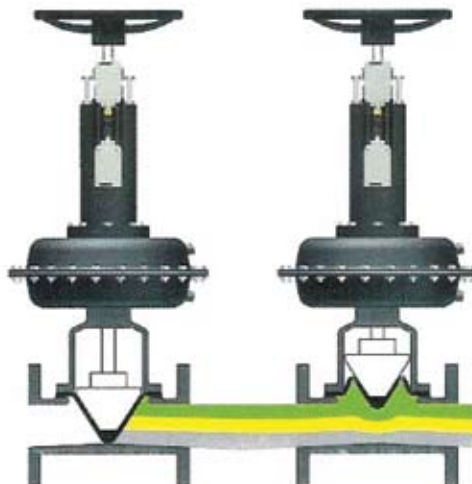
Limit Switches
Can be fitted for remote indication of opening or closing position of the valve.

Valve useable in any position

Supports are required for larger actuators when mounted horizontally.



Valve Flow
Pocketless design for contamination free performance and smooth flow characteristics.



VISION

Distributor